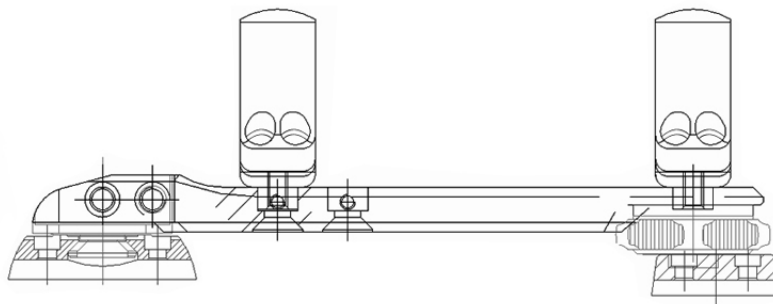


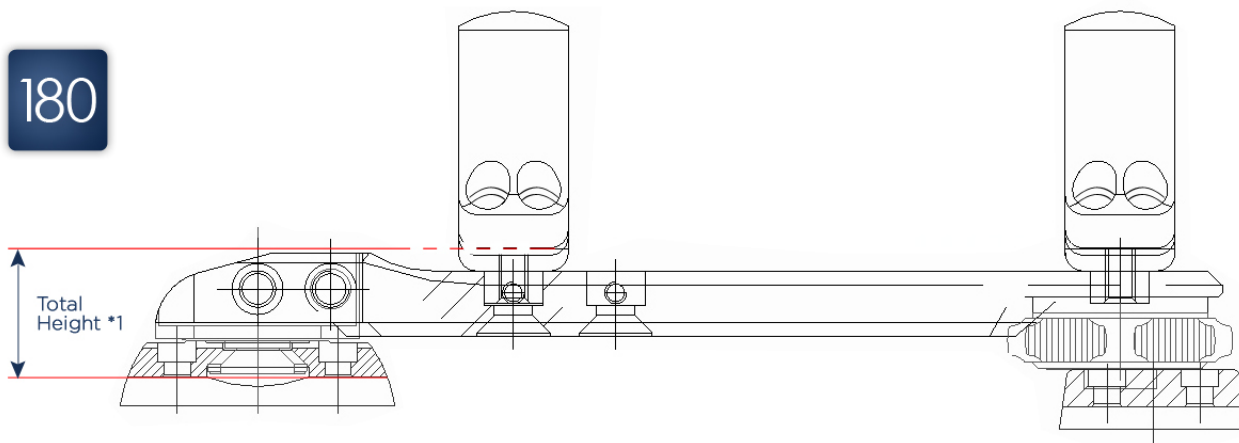
180



180



180



You need the M5 version if you mount the ring somewhere else on the bridge

You need the M4 version if you mount the ring over the spacer